

AVT592

HD CCTV 1080P

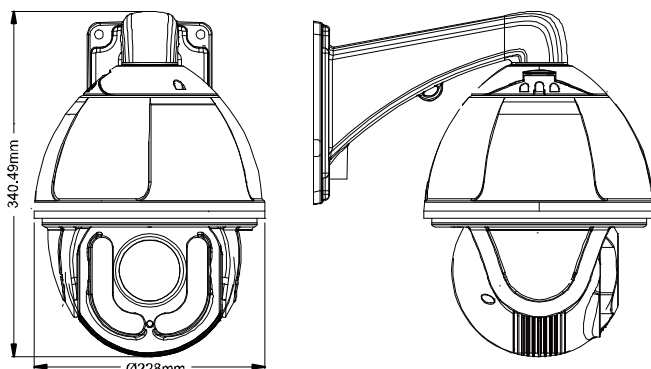
20X IR Speed Dome Camera



● FEATURES

- (1) 1/2.8" CMOS Sensor with 1080P video output
- (2) Zoom lens of f4.7 ~ 94mm with 20x optical zoom and auto focus, suitable for various monitoring environments
- (3) PTZ control for seamless monitoring
 - Capable of 360° pan rotation continuously, allowing quick and smooth action of the camera lens
 - Auto Tracking to follow moving objects
 - Up to 256 preset points & four sequence groups programmable for multiple points monitoring, and auto pan
- (4) External alarm I/O device connection
- (5) WDR to increase image recognizability in overexposure and dark areas
- (6) IR effective range up to 150 meters for night surveillance
- (7) IP66 for outdoor application
- (8) Camera parameters adjustable when used with AVTECH HD CCTV DVR

● DIMENSIONS*



*Dimensional Tolerance: ± 5mm

● SPECIFICATIONS*

■ General		■ General	
Pick-up Element	1/2.8" SONY CMOS image sensor	External alarm I/O	YES (1 input / 1 output)
Number of Pixels	1936(H) × 1096(V)	RS-485	YES
Video Frame Rate	1080P@30fps / 1080P@25fps	IP Rating	IP66
Min. Illumination	0.1 Lux / F1.6(Wide)~F3.5(Tele), 0 Lux (IR LED ON)	Operating Temperature	-20°C ~ 50°C
S/N Ratio	More than 48dB (AGC OFF)	Power Source (±10%)	AC24V / 1.5A; DC19V / 2.1A
Shutter Speed	1 / 60 (1/50) to 1 / 100,000 sec.	Power Consumption (±10%)	12W (IR OFF); 28W (IR ON)
Lens	f4.7 ~ 94mm / F1.6 (Wide) ~ 3.5(Tele)	■ PTZ Mechanism	
Lens Angle	1X	Pan Range	360° endless
	20X	Max. Pan Speed	180°/s
IR LED	10 units	Tilt Range	-3° ~ 90°
IR Effective Distance	Up to 150 meters	Max. Tilt Speed	100°/s
IR Shift	YES	Zoom Ratio	20X Optical Zoom
IRIS Mode	YES	Max. Zoom Speed	Approx. 3s (Tele ~ Wide)
White Balance	Auto / 2500K / 3200K / 4200K / 5800K / 9500K	Preset Points	Up to 256 preset points
AGC	YES	Sequence Group	1. Up to four groups can be set 2. One group can include up to 16 preset points
Sharpness	YES		
WDR	YES (120dB)		

* The specifications are subject to change without notice.